

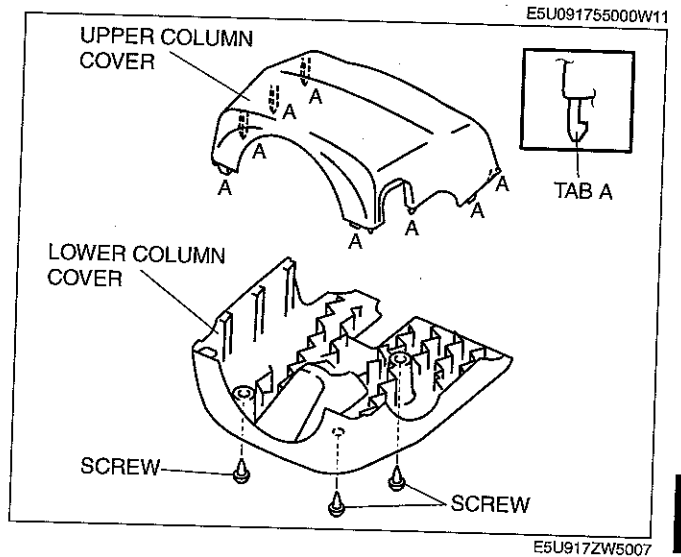
## INTERIOR TRIM

1	Dashboard wiring harness
2	Pin
3	Defroster duct
4	Center duct
5	Striker
6	Dashboard member

7	Dashboard panel
8	Dashboard lower panel
9	Shower duct
10	Lower ventilator grille
11	Side demister nozzle
12	Switch panel

### COLUMN COVER REMOVAL/INSTALLATION

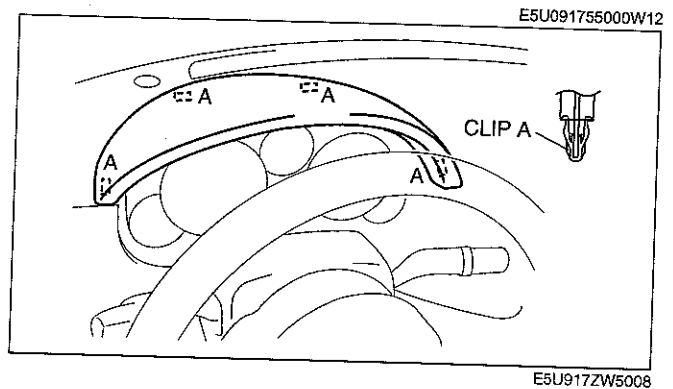
1. Remove the tab A, then remove the upper column cover.
2. Remove the screws, then remove the lower column cover.
3. Remove the ignition key illumination. (See 09-18-23 IGNITION KEY ILLUMINATION BULB REMOVAL/INSTALLATION.)
4. Install in the reverse order of removal.



09-17

### METER HOOD REMOVAL/INSTALLATION

1. Pull the meter hood upward and detach clips A.
2. Remove the meter hood.
3. Install in the reverse order of removal.

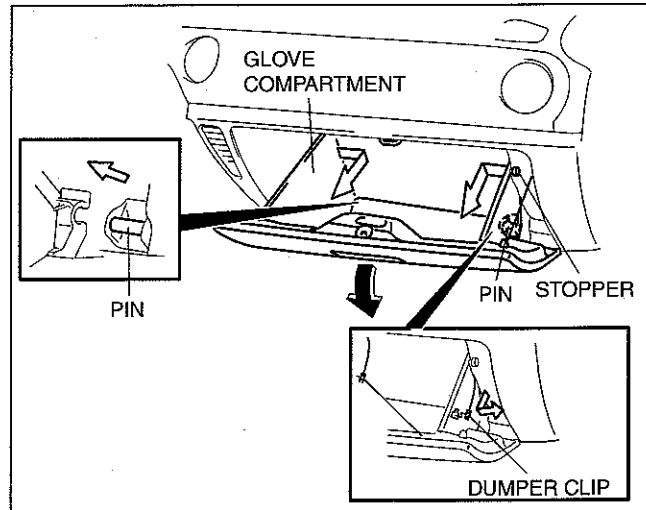


# INTERIOR TRIM

## GLOVE COMPARTMENT REMOVAL/INSTALLATION

E5U091755000W13

1. Remove the dumper clip.
2. Bend the stoppers inward, then remove.
3. Turn the glove compartment downward and pull the pins.
4. Remove the glove compartment.
5. Install in the reverse order of removal.

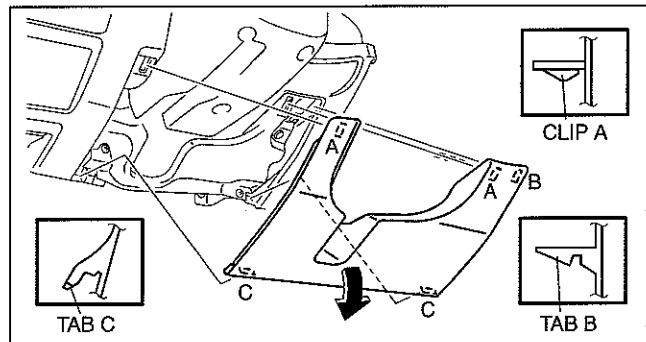


E5U917ZW5009

## LOWER PANEL REMOVAL/INSTALLATION

E5U091755000W14

1. Pull the lower panel outward and detach clips A and tab B.
2. Turn the lower panel downward and remove the tabs C.
3. Remove the lower panel.
4. Install in the reverse order of removal.

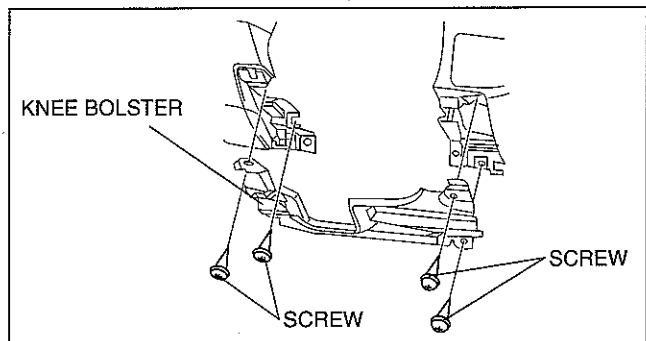


E5U917ZW5010

## KNEE BOLSTER REMOVAL/INSTALLATION

E5U091755000W18

1. Remove the lower panel. (See 09-17-8 LOWER PANEL REMOVAL/INSTALLATION.)
2. Remove the screws.
3. Remove the knee bolster.
4. Install in the reverse order of removal.



E5U917ZW5004